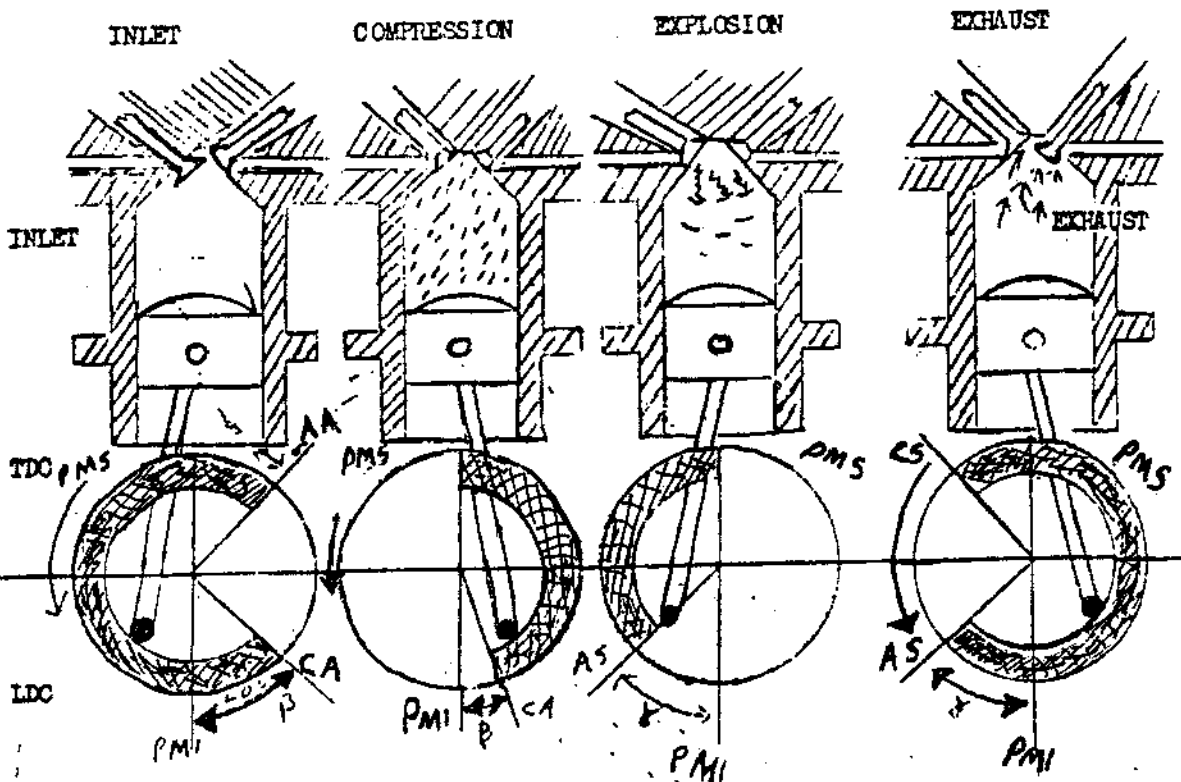


TABLE No. 18 : Distribution phases



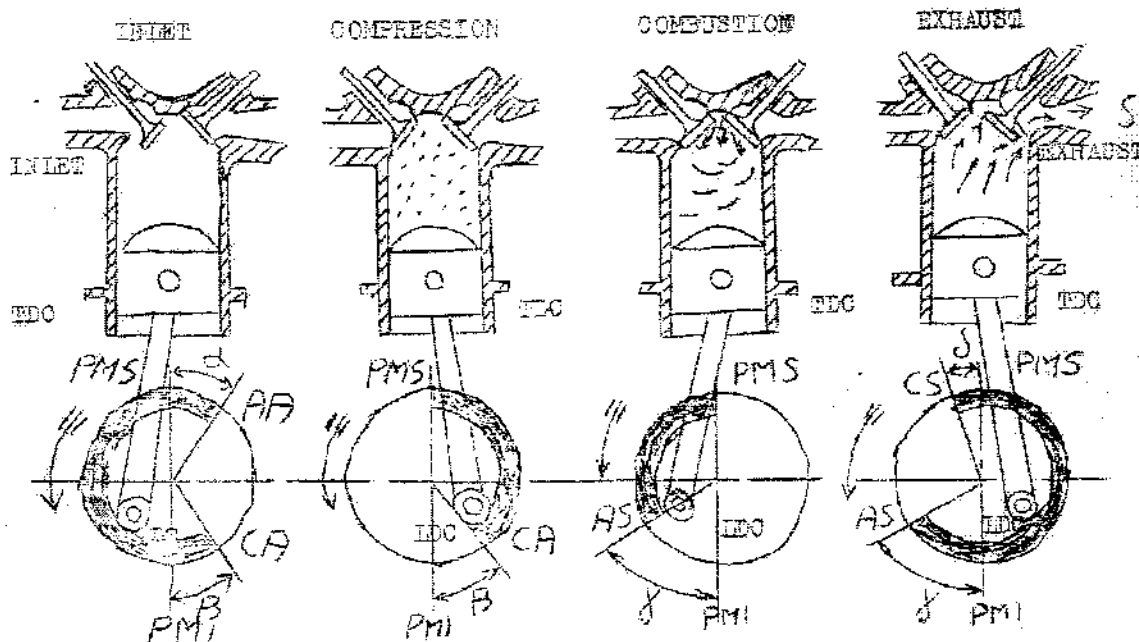
- AA - Beginning inlet opening before TDC.
- CA - End inlet closing after LDC.
- AS - Beginning exhaust opening before LDC.
- CS - End exhaust closing after TDC.

Control data for distribution with adjustment of the play between valves and rocker-arms of 0,0196".

Engine type	AA	CA B	AS 8	CS S
175cc L.V.	36	46	66	16
175cc S.	36	46	66	16
175cc SDS.	38	68	68	38

AFTER HAVING CHECKED THE DATA OF THE DISTRIBUTION, THE PLAY BETWEEN VALVES AND ROCKER-ARMS MUST BE BROUGHT BACK TO THE VALUES INDICATED IN TABLE No. 3

TABLE No. 18
DISTRIBUTION PHASES



- AA - Beginning inlet opening before TDC.-
- CA - End inlet closing after TDC.-
- AS - Beginning exhaust opening before TDC.-
- CS - End exhaust closing after TDC.-

Control data for distribution with adjustment of the play between valves and rocker-arms of mm 0,5.-

Engine type		AA	CA	AS	CS
175cc	L.V.	36	45	66	16
175cc	S	37	45	65	16
175cc	SBS.	38	66	65	38

AFTER HAVING CHECKED THE DATA OF THE DISTRIBUTION, THE PLAY BETWEEN VALVES AND ROCKER-ARMS MUST BE BROUGHT BACK TO THE VALUES INDICATED IN TABLE No. 3.-