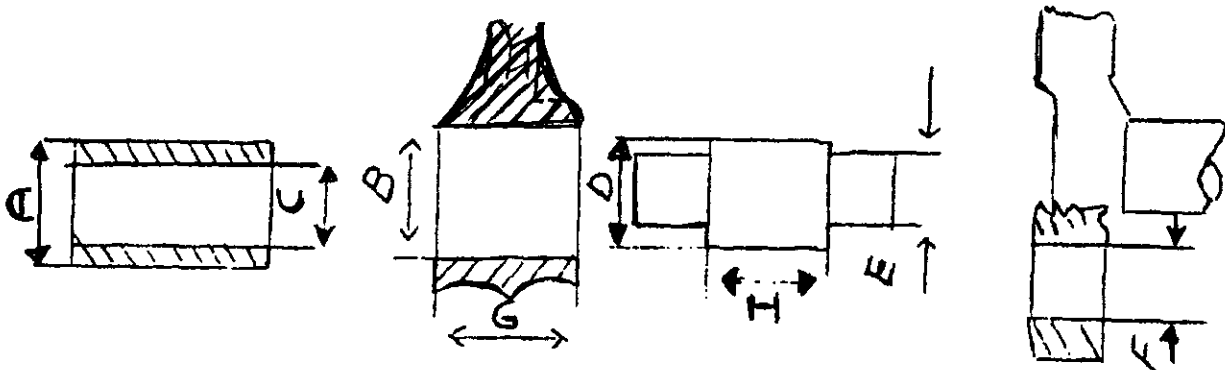


TABLE No. 14

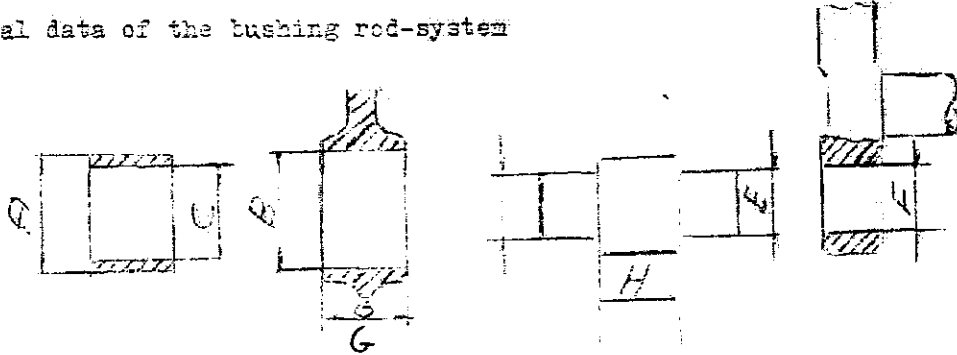
Principal data of the bushing rod-system



| | |
|---|-------------------------------|
| <u>A</u> bushing outside diameter | 1.497" & 1.498" |
| <u>B</u> Bushing seat diameter | 1.4961" & 1.4968" |
| Interference between bushing and bushing seat A-B | 0.00078" & 0.0019" |
| Pin <u>D</u> diameter | specified 1.3780" & 1.3784" |
| Bushing <u>C</u> diameter | specified 1.379" & 1.3799" |
| | wear limit 1.380" |
| Clearance between pin and bushing (to be obtained by means of coupling -) | specified 0.00177" & 0.00196" |
| | wear limit 0.00275" |
| <u>Pin keying diameter</u> | 1.0255" & 1.0259" |
| <u>Diameter of the keying holes of the semi-flywheels</u> | 1.0236" & 1.0241" |
| <u>E-F assembling interference: suggested</u> | 0.00236" |
| <u>G</u> Thickness of the conn-rod | 0.942" & 0.944" |
| <u>H</u> Height of the pin | 0.950" & 0.952" |
| <u>Conn rod / big end - H-G axial play</u> | 0.00590" & 0.0098" |

TABLE No. 14

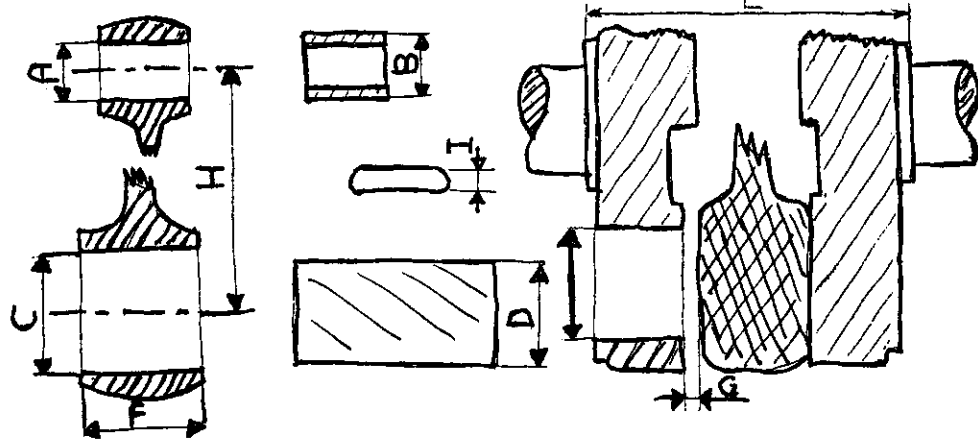
Principal data of the bushing rod-system



| | | | | |
|---|----|--------|---|--------|
| A bushing outside diameter | mm | 38,04 | + | 38,05 |
| B bushing seat diameter | mm | 38,00 | + | 38,02 |
| Interference between bushing and bushing seat A-B | mm | 0,02 | + | 0,05 |
| Pin D diameter specified | mm | 35,00 | + | 35,012 |
| wear limit | mm | | | 34,97 |
| Bushing C diameter specified | mm | 35,040 | + | 35,050 |
| wear limit | mm | | | 35,06 |
| Clearance between pin and bushing (to be obtained by means of coupling) specified | mm | 0,045 | + | 0,050 |
| wear limit | mm | | | 0,070 |
| E Pin keying diameter | mm | 26,05 | + | 26,06 |
| Diameter of the keying holes of the semi-flywheels | mm | 26,00 | + | 26,013 |
| E - F Assembling interference : suggested | mm | | | 0,05 |
| G Thickness of the conn-rod | mm | 23,95 | + | 24,00 |
| H Height of the pin | mm | 24,15 | + | 24,20 |
| Conn-rod big end - H-G axial play | mm | 0,15 | + | 0,25 |

TABLE No. 14/A

Main data of the roller connecting-rod assembly, "Unified".



| | | |
|---|--------------|-------------------|
| "A" seat diameter of gudgeon pin bushing | | mm 20.000+20.021 |
| "B" diameter of gudgeon pin bushing | | mm 20.035+20.048 |
| B-A interference between bushing and conn.-rod | | mm 0.014 + 0.048 |
| "C" diameter of big end cage seat | | mm 38.007+38.012 |
| "I" diameter of cage rollers | | mm 3 |
| "D" diameter of coupling pin | | mm 31.990+31.995 |
| <hr/> | | |
| Diametral play of big end bearing | - prescribed | mm 0.015 |
| | wear limit | mm 0.040 |
| <hr/> | | |
| "E" diameter of keying holes | | mm 31.920 +31.930 |
| "G" big-end axial play | | mm 0.15 + 0.25 |
| "L" distance between bearings supporting surfaces | | mm 66.01 + 66.02 |