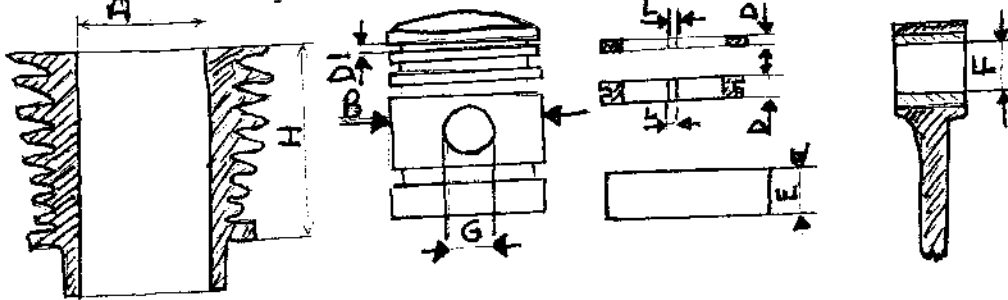


TABLE No. 10

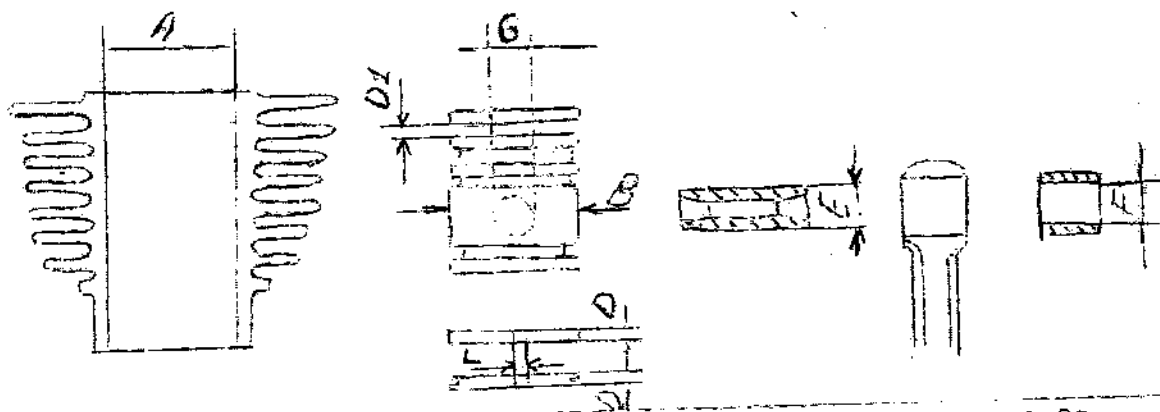
= Principal data of the cylinder-piston assembly.



		175cc LV-S-SDS	250cc S-SDS
<u>CYLINDER</u> :	A normal diameter	mm. 59.80+59.82	68.00+68.02
	ovalisation admitted :	new	0.015
		used	0.05
<u>PISTON</u> :	B normal diameter (measured 5 mm. under the ring seat)	mm. 59.68	67.85
	Clearance between cylinder and piston A-B	prescribed mm. 0.12+0.14	0.14+0.16
	limit admitted	0.19	0.20
<u>PISTON</u>	Normal C diameter	mm. 59.80	68.00
	L gap (ring in the seat):	prescribed	0.20+0.25
		of wear	0.80
<u>RINGS</u>	D thickness (175cc LV and S):	compression ring	mm. 1.98+2.00
		scraper ring	mm. 2.98+3.00
	D thickness (175cc DS):	compression ring	mm. 1.48+1.50
		scraper ring	mm. 2.48+2.50
Axial play between seats D1 and rings D (D - D1) :	prescribed	mm. 0.03 + 0.05	
	wear limit	mm. 0.08	
Inside diameter F gudgeon pin bushing		mm. 16.015+16.020	18.015+18.02
Outside diameter E of gudgeon pin		mm. 15.995+16.000	17.995+18.000
Clearance between bushing and gudgeon pin:	prescribed	mm. 0.015+0.025	0.015+0.025
	allowed limit	mm. 0.04	0.04
Clearance between gudgeon pin and piston hole:	prescribed	mm. 0 +0.01	0 + 0.01
	allowed limit	mm. 0.04	0.04
<u>CYLINDER</u> - H height :		mm. 97	101.5

TABLE No. 10

Principal data of the cylinder - piston assembly



Cylinder	A normal diameter		mm	59,80 + 59,82	
	evaluation admitted	new	mm	0,15	
		used	mm	0,05	
Piston	B normal diameter (measured 5 mm under the ring seat)		mm	59,88	
Clearance between cylinder and piston A - B				prescribed mm 0,12 + 0,15	
				limit admitted 0,15	
PISTON RINGS	Normal C diameter:		mm	59,80	
	L gap (ring in the seat) of wear	prescribed	mm	0,20 + mm 0,25	
				mm	0,30
	D thickness (175 LV and S) scraper ring		mm	1,98 + mm 2,00	normal ring
			mm	2,98 + mm 3,00	
	D thickness (175 DS) normal ring scraper ring		mm	1,48 + mm 1,50	
		mm	2,48 + mm 2,50		
Axial play between seats D1 and rings D (D - D1)					
				prescribed mm 0,03 + mm 0,05	
				wear limit mm 0,08	
Inside diameter of gudgeon pin bushing				mm 16,015 + 16,020	
Outside diameter E of gudgeon pin				mm 15,995 + 16,000	
Clearance between bushing and gudgeon pin F - E					
				prescribed mm 0,015 + 0,025	
				allowed limit mm 0,04	
Clearance between gudgeon pin and piston hole					
				prescribed mm 0 + mm 0,01	
				allowed limit mm 0,04	