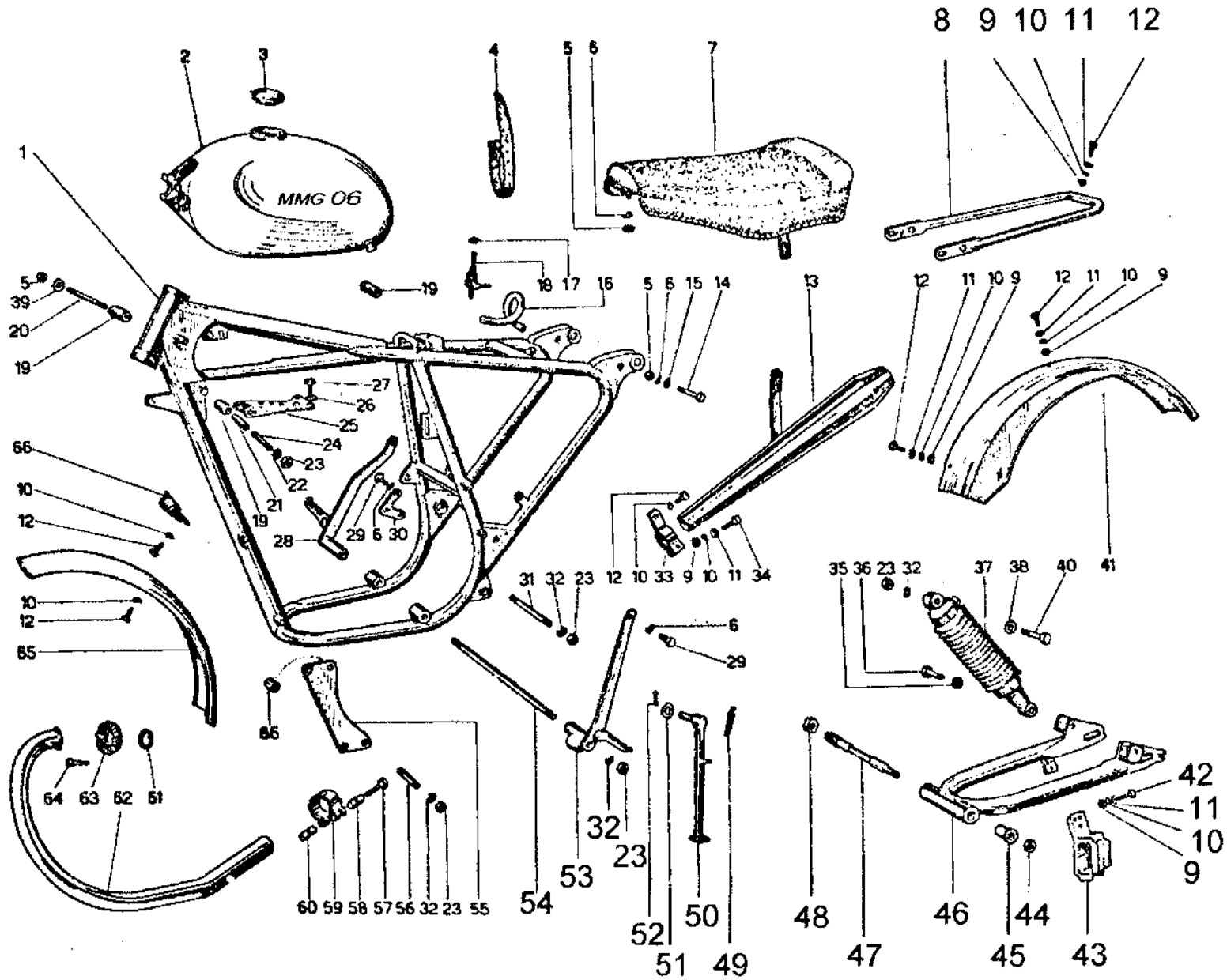


250cc WILDCAT SCRAMBLER



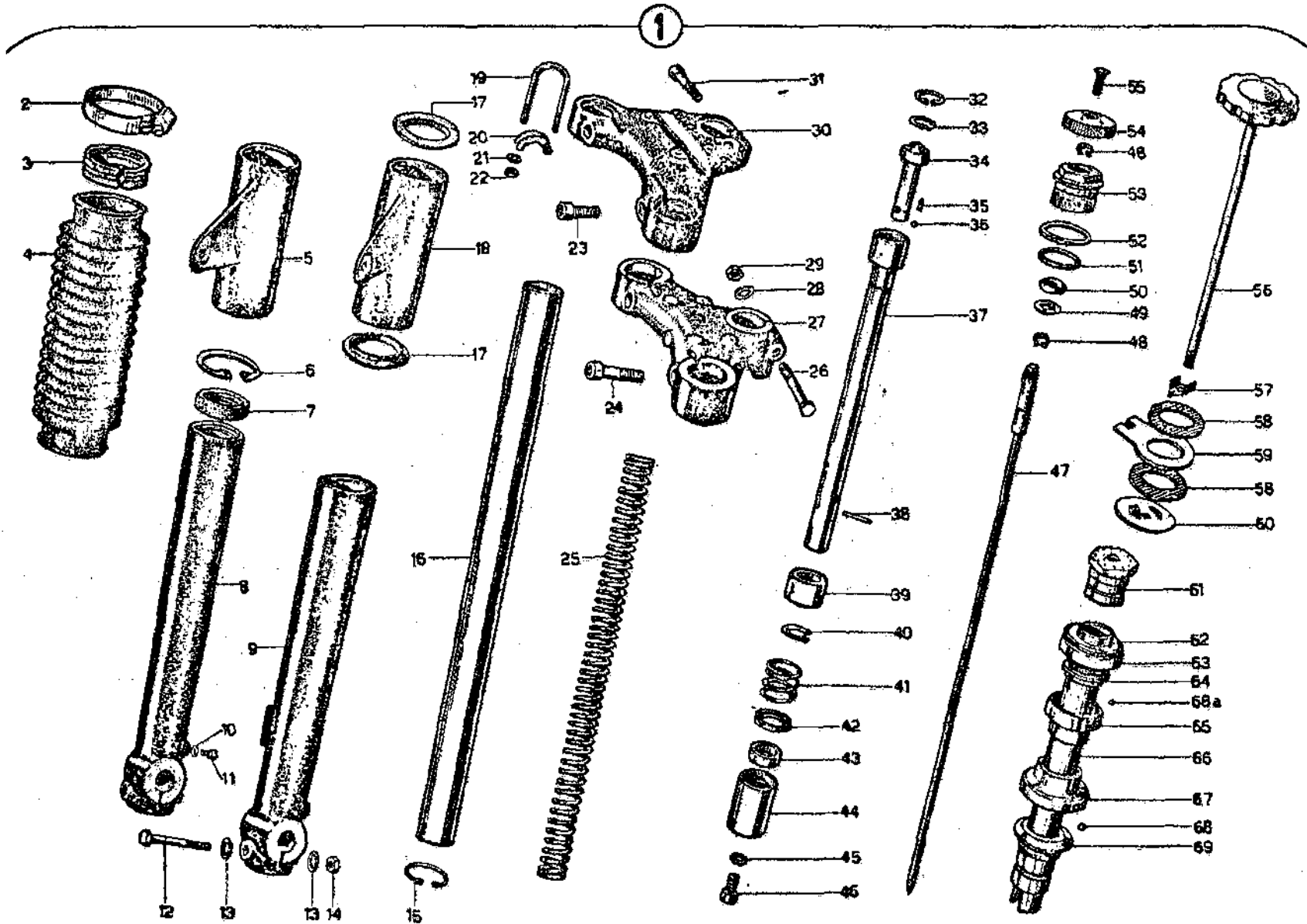
Part No.

1/1 Frame
 1/2 Tank
 1/3 Tank cap
 1/4 Tank strap
 1/5 Nut for seat
 1/6 Lock washer for seat
 1/7 Seat
 1/8 Rear fender brace
 1/9 Nut
 1/10 Lock washer
 1/11 Flat washer
 1/12 Bolt
 1/13 Megaphone
 1/14 Bolt
 1/15 Flat washer
 1/16 Fuel line
 1/17 Petcock gasket
 1/18 Petcock
 1/19 Spacer
 1/20 Stud
 1/21 Bushing
 1/22 Washer

1/23 Nut
 1/24 Stud
 1/25 Engine brace
 1/26 Washer
 1/27 Bolt
 1/28 Right footpeg
 1/29 Bolt
 1/30 Bracket
 1/31 Stud
 1/32 Washer
 1/33 Megaphone clamp
 1/34 Bolt
 1/35 Nut
 1/36 Bolt
 1/37 Rear shock
 1/38 Washer
 1/39 Washer
 1/40 Bolt
 1/41 Rear fender
 1/42 Bolt
 1/43 Chain guide
 1/44 Nut

1/45 Spacer bushing
 1/46 Rear swing arm
 1/47 Swing arm axle
 1/48 Nut
 1/49 Spring
 1/50 Side stand
 1/51 Washer
 1/52 Cotter pin
 1/53 Left footpeg
 1/54 Footpeg stud
 1/55 Engine mount
 1/56 Stud
 1/57 Bolt
 1/58 Spacer
 1/59 Clamp
 1/60 Spacer
 1/61 Exhaust gasket
 1/62 Exhaust pipe
 1/63 Exhaust flange
 1/64 Bolt
 1/65 Front fender
 1/66 Spacer

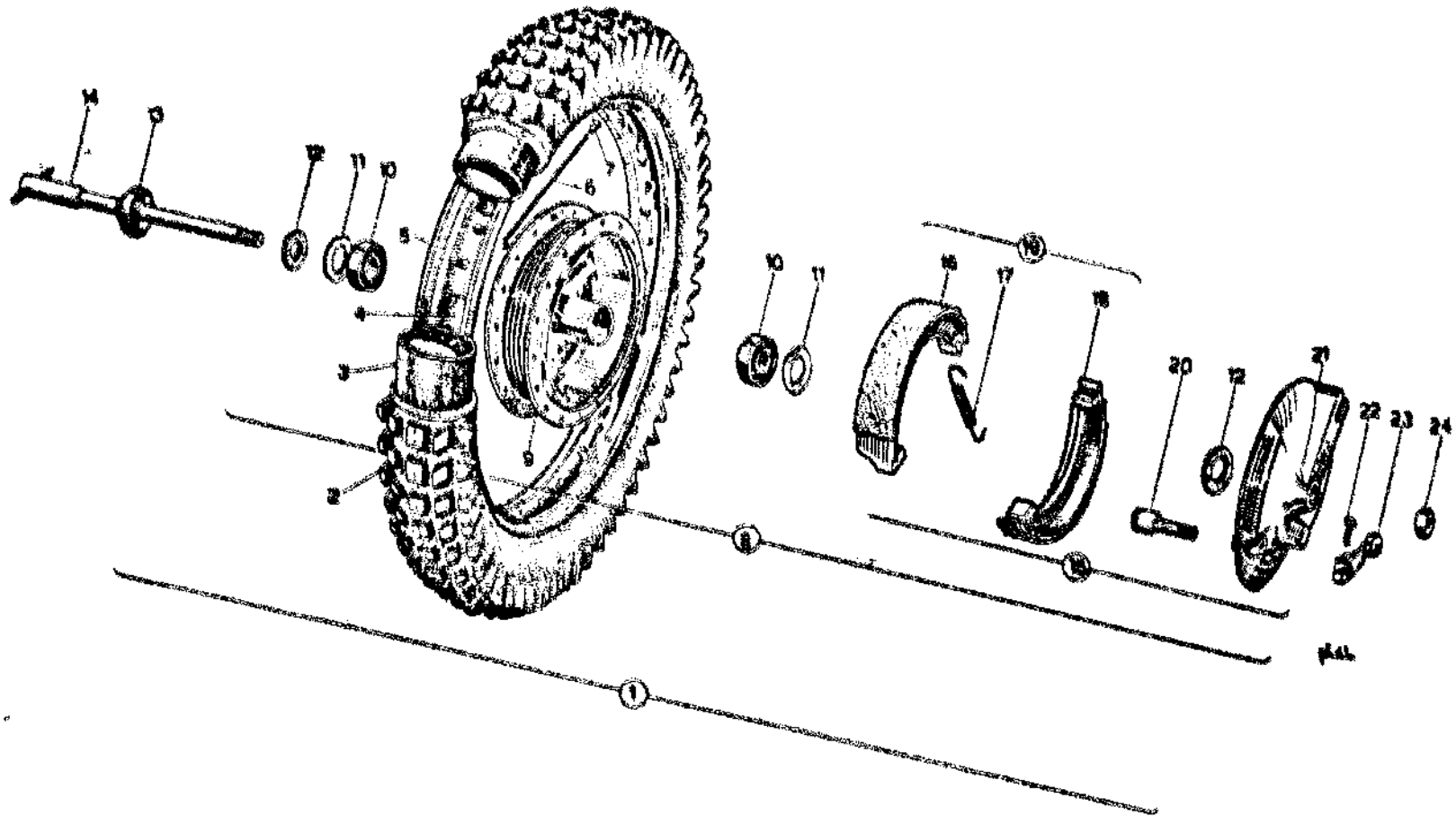
250cc WILDCAT SCRAMBLER



Part No.

2/1	Front fork	2/24	Allen screw	2/47	Rod
2/2	Clamp	2/25	Spring	2/48	Circlip
2/3	Collar	2/26	Bolt	2/49	Washer
2/4	Rubber boot	2/27	Lower fork bracket	2/50	Plug
2/5	Right headlite bracket	2/28	Washer	2/51	O ring
2/6	Seeger ring	2/29	Nut	2/52	Seal
2/7	Bushing	2/30	Upper fork bracket	2/53	Plug
2/8	Right fork leg	2/31	Bolt	2/54	Knob
2/9	Left fork leg	2/32	Seeger ring	2/55	Screw
2/10	Washer	2/33	Spacer	2/56	Damper knob
2/11	Bolt	2/34	Plug	2/57	Clip
2/12	Bolt	2/35	Pin	2/58	Fibre washer
2/13	Washer	2/36	Ball	2/59	Fixed plate
2/14	Nut	2/37	Adjusting tube	2/60	Bottom plate
2/15	Seeger ring	2/38	Pin	2/61	Damper plug
2/16	Fork tube	2/39	Bushing	2/62	Damper washer
2/17	Spacer	2/40	Seeger ring	2/63	Steering cap
2/18	Right headlite bracket	2/41	Spring	2/64	Inner upper race
2/19	U Bolt	2/42	Spacer	2/65	Outer upper race
2/20	Spacer	2/43	Bushing	2/66	Damper shaft
2/21	Washer	2/44	Bushing	2/67	Outer lower race
2/22	Nut	2/45	Washer	2/68	Ball
2/23	Allen screw	2/46	Screw	2/69	Inner lower race

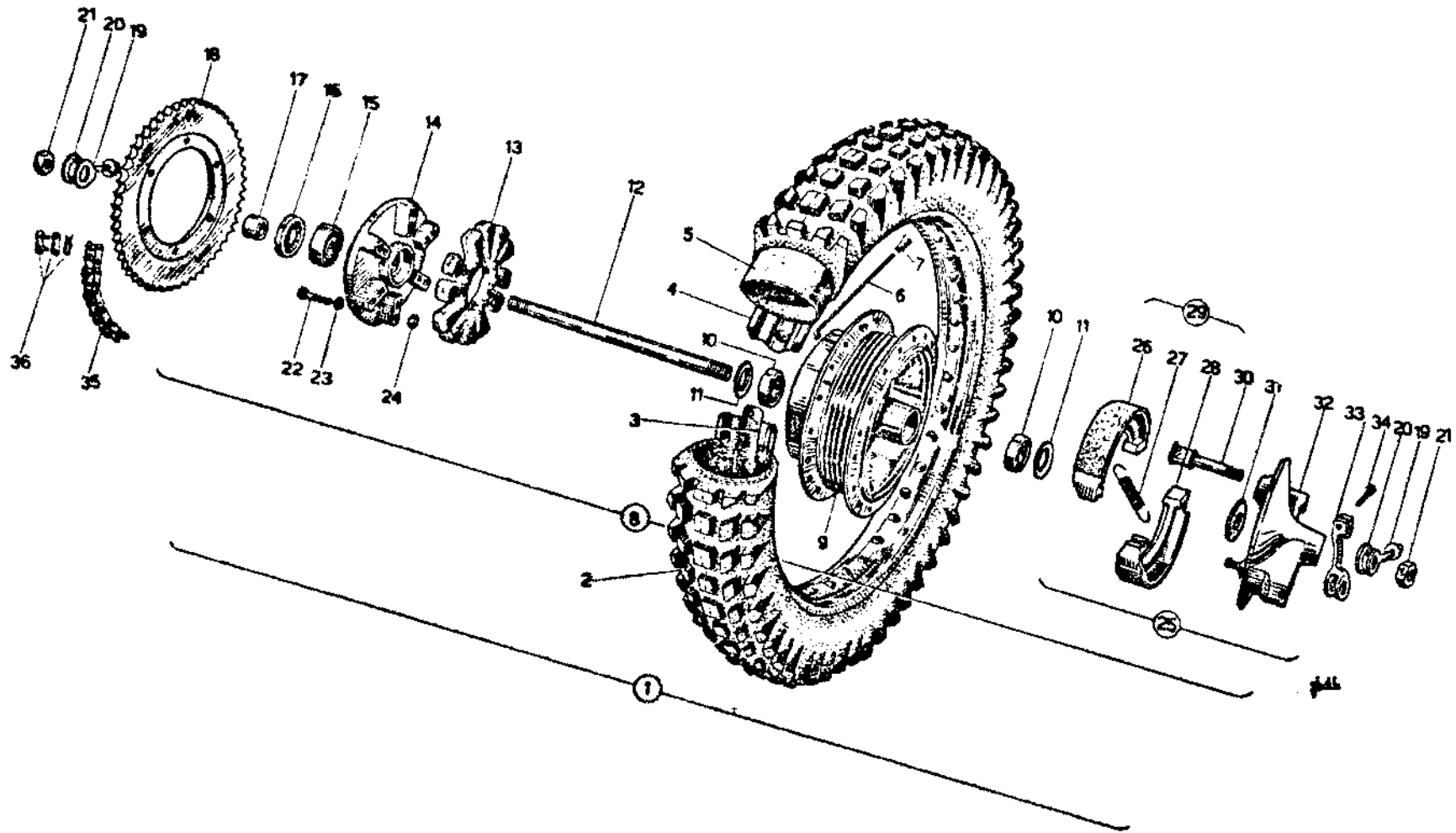
250cc WILDCAT SCRAMBLER



Part No.

3/1	Front wheel	3/9	Front hub -bare	3/17	Spring
3/2	Front tire	3/10	Bearing	3/18	Lower brake shoe with lining
3/3	Front tube	3/11	Spacer	3/19	Brake shoe assembly
3/4	Rim strip	3/12	Seal	3/20	Brake cam
3/5	Rim	3/13	Cover	3/21	Brake plate bare
3/6	Spoke	3/14	Axle	3/22	Screw
3/7	Nipple	3/15	Front brake plate complete	3/23	Lever
3/8	Front hub complete	3/16	Upper brake shoe with lining	3/24	Nut

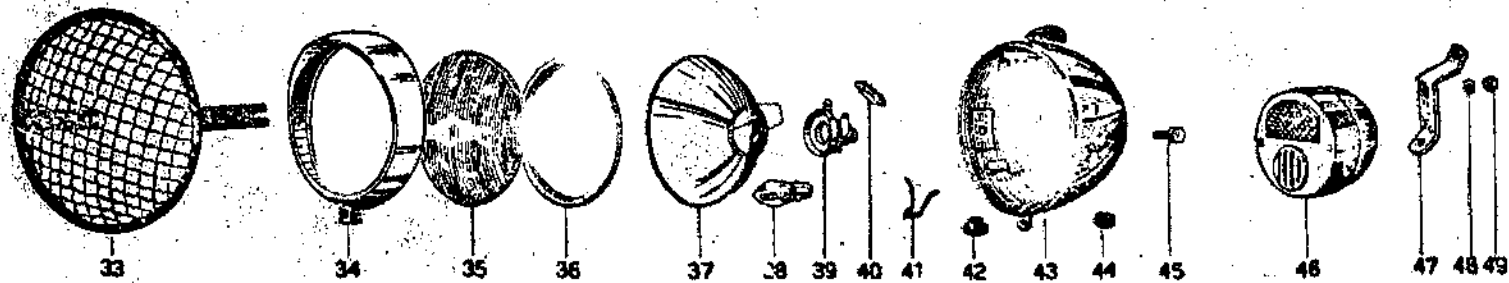
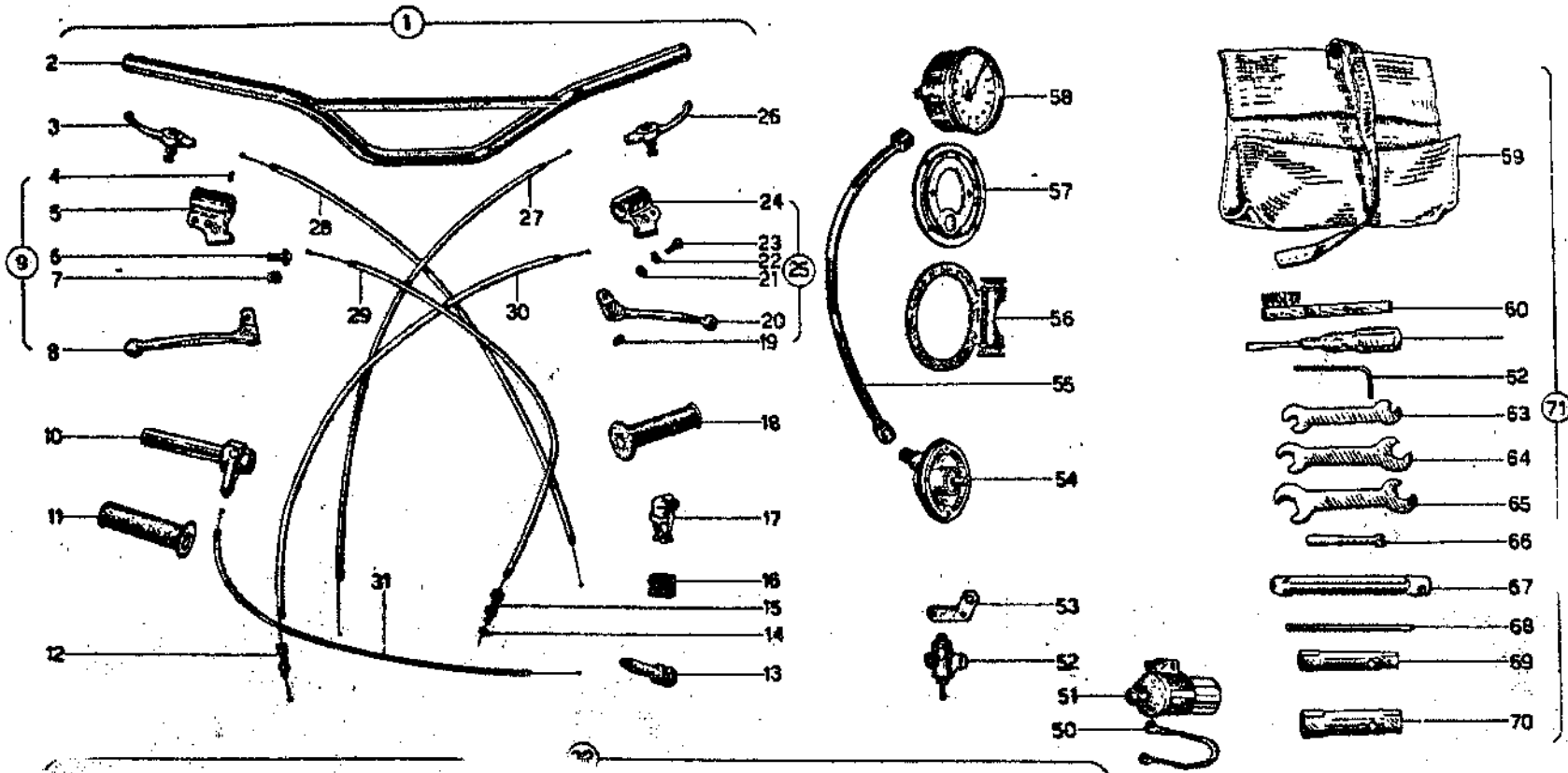
250cc WILDCAT SCRAMBLER



Part No.

4/1	Rear wheel complete	4/13	Rubber shock Compensator	4/25	Brake plate complete
4/2	Rear tire	4/14	Drive plate	4/26	Upper brake shoe
4/3	Rim strip	4/15	Bearing	4/27	Spring
4/4	Rim	4/16	Spacer	4/28	Lower brake shoe
4/5	Rear tube	4/17	Bushing	4/29	Brake shoe assy.
4/6	Spoke	4/18	Sprocket	4/30	Cam
4/7	Nipple	4/19	Chain adjuster	4/31	Spacer
4/8	Rear hub complete	4/20	Washer	4/32	Rear brake plate bare
4/9	Rear hub bare	4/21	Nut	4/33	Lever
4/10	Bearing	4/22	Bolt	4/34	Screw
4/11	Spacer	4/23	Washer	4/35	Chain
4/12	Axle	4/24	Nut	4/36	Master link

250cc WILDCAT SCRAMBLER



Part No.

5/1	Handlebars complete	5/25	Clutch lever assy.	5/49	Nut
5/2	Handlebars bare	5/26	Spark control	5/50	Wire
5/3	Choke control	5/27	Throttle control	5/51	External coil
5/4	Cable end	5/28	Spark cable	5/52	Stop lite switch
5/5	Brake lever bracket	5/29	Front brake cable	5/53	Stop switch bracket
5/6	Cable adjuster	5/30	Clutch cable	5/54	Tachometer drive
5/7	Adjuster spring	5/31	Throttle cable	5/55	Tachometer cable
5/8	Brake lever	5/32	Headlite complete	5/56	Tachometer bracket
5/9	Brake lever assy.	5/33	Headlite guard	5/57	Tachometer suspension
5/10	Twist grip	5/34	Headlite rim	5/58	Tachometer
5/11	Twist grip rubber	5/35	Headlite lens	5/59	Tool bag
5/12	Clutch cable	5/36	Lens gasket	5/60	Spark plug brush
5/13	Rubber protector	5/37	Reflector	5/61	Screw driver
5/14	Cable clamp	5/38	Two filament bulb	5/62	Allen wrench
5/15	Adjuster	5/39	Bulb socket	5/63	Wrench
5/16	Terminal block	5/40	Parking bulb	5/64	Wrench
5/17	Dimmer switch	5/41	Lens clip	5/65	Wrench
5/18	Left rubber grip	5/42	Rubber grommet	5/66	Wrench
5/19	Cable clip	5/43	Headlite shell	5/67	Tire iron
5/20	Clutch lever	5/44	Rubber grommet	5/68	Rod
5/21	Nut	5/45	Bolt	5/69	Spark wrench
5/22	Washer	5/46	Tailite complete	5/70	Wheel wrench
5/23	Screw	5/47	Tailite bracket	5/71	Tool kit complete
5/24	Clutch lever bracket	5/48	Washer		